

ContourLine
24" Combi-Steam Oven

DGC 6500-1 XL



ContourLine Combi-Steam Oven

DGC 6500-1 XL



DGC 6500-1 XL Features:

- SensorTronic controls: 5-line TFT display with laterally positioned sensor controls that clearly present menu content
- MultiSteam technology delivers powerful external steam generation and optimum steam distribution via 6 inlet ports
- Wired roast probe for perfect roasting
- 3-in-1 appliance
 1. True European convection oven
 2. Steam oven
 3. Combination of steam and convection oven
- MasterChef menus offer over 150 food types to cook to perfection
- XL stainless steel cavity
- Lift up control panel conceals water and condensate container (both containers are dishwasher-safe)
- ComfortSwivel handle moves with the motion of your wrist, creating a more ergonomic feel when opening and closing the oven door



SPECIFICATIONS

DGC 6500-1 XL – Item 23650074USA

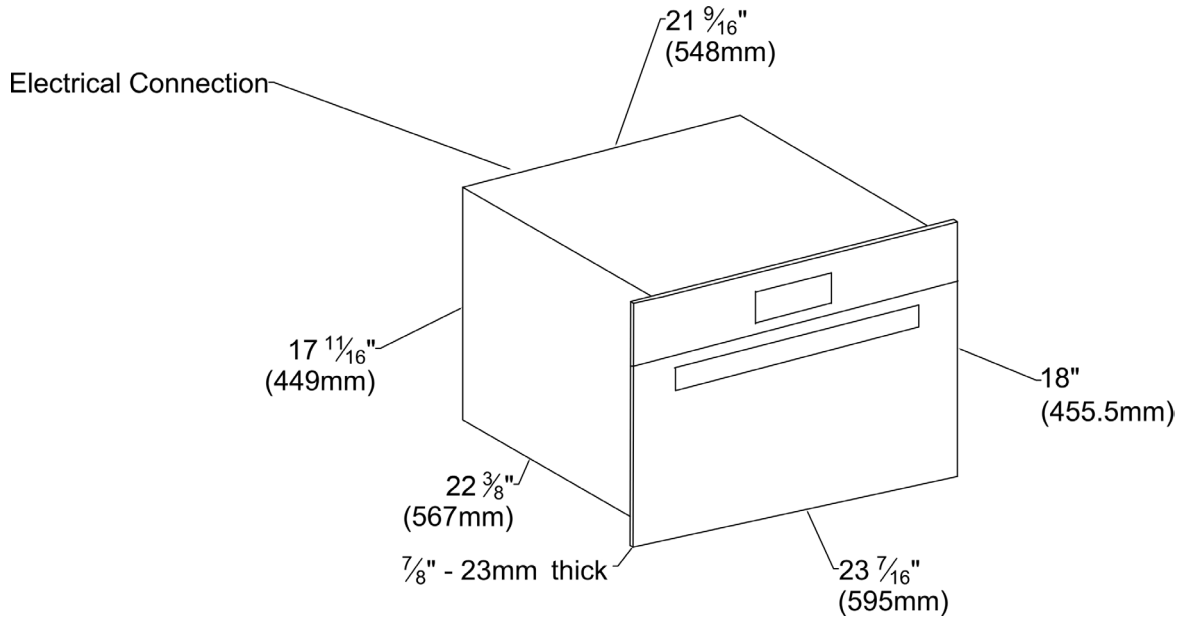
Overall Fascia Dimensions	23 ⁷ / ₁₆ " (595 mm) W x 18" (455.5 mm) H x 7 ⁷ / ₈ " (23 mm) D
Overall Unit Width - Excluding Fascia Dimension	21 ⁹ / ₁₆ " (548 mm)
Overall Unit Height - Excluding Fascia Dimension	17 ¹¹ / ₁₆ " (449 mm)
Overall Unit Depth - Excluding Fascia Dimension	22 ³ / ₈ " (567 mm)
Oven Door Clearance	12 ⁹ / ₁₆ " (319 mm)
Built-In	
Minimum Opening Width	22 ¹ / ₁₆ " (560 mm)
Minimum Opening Height	17 ¹¹ / ₁₆ " (450 mm)
Minimum Opening Depth	22 ¹ / ₂ " (572 mm)
Minimum Base Support	60 lbs
Additional Cut-Outs Required	Venting cut-out required 19 ¹¹ / ₁₆ " x 1 ⁹ / ₁₆ " (500 x 40 mm)
Electrical	
Electrical Requirements	208V/240V, 60Hz, 20A
Power Rating	240V - 3.7 kw 208V - 3.2 kw
Power Cord	Molded plug - NEMA 6-20, power cord 5 ft (1.5 m)
Shipping	
Shipping Weight	65 lbs
Shipping Dimensions	26 ⁷ / ₃₂ " (666 mm) W x 21 ⁵ / ₈ " (549 mm) H x 23 ¹ / ₁₆ " (535 mm) D
Support	
Call Miele	(800) 999-1360
Miele Website	www.mieleusa.com
20/20 Link	2020technologies.com

ContourLine Combi-Steam Oven DGC 6500-1 XL

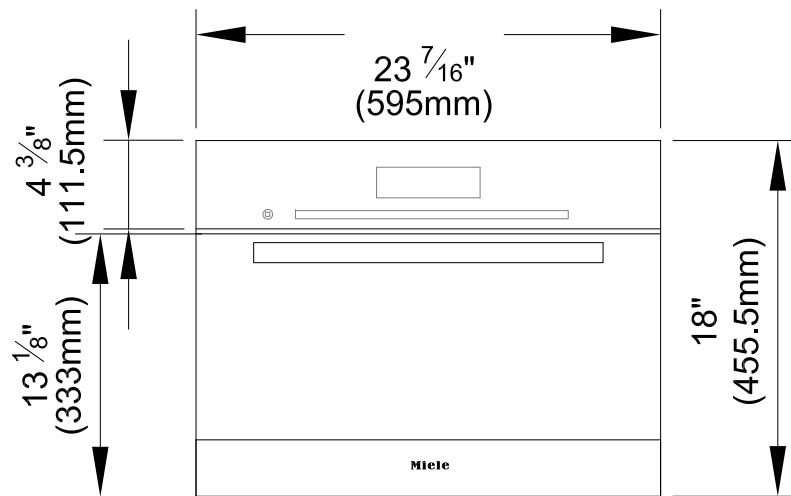


PRODUCT VIEWS

Isometric View



Front View

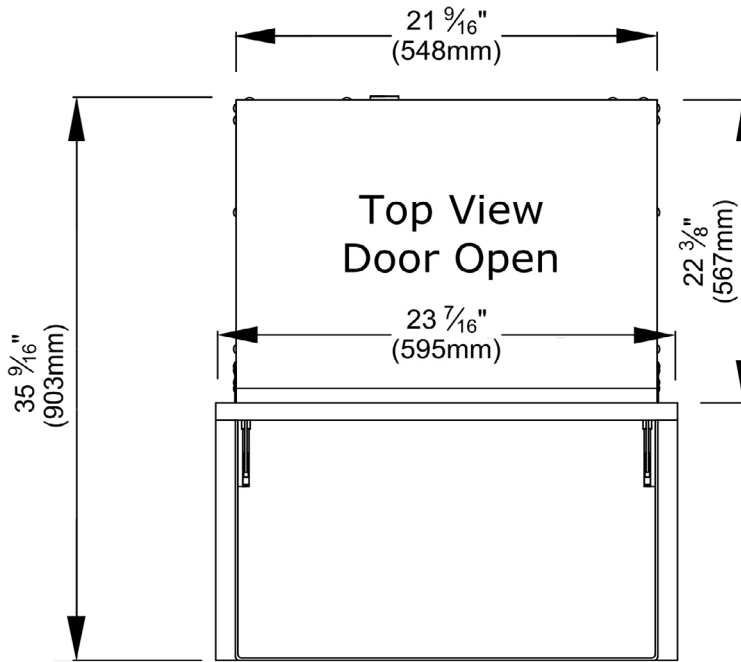


ContourLine Combi-Steam Oven DGC 6500-1 XL

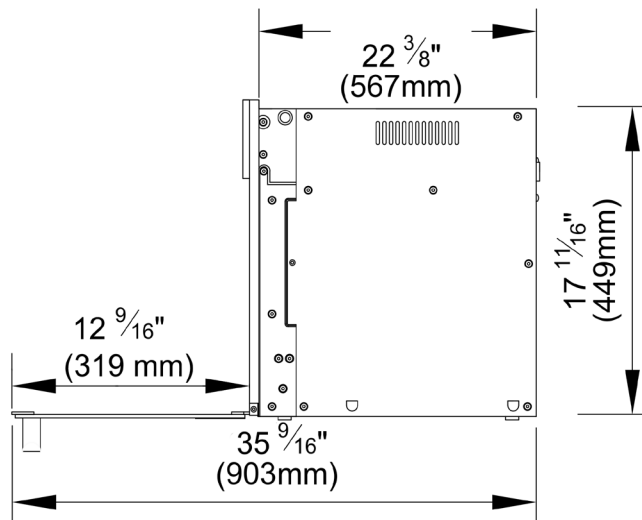


INSTALLATION SPECIFICATIONS

Top View, Door Open

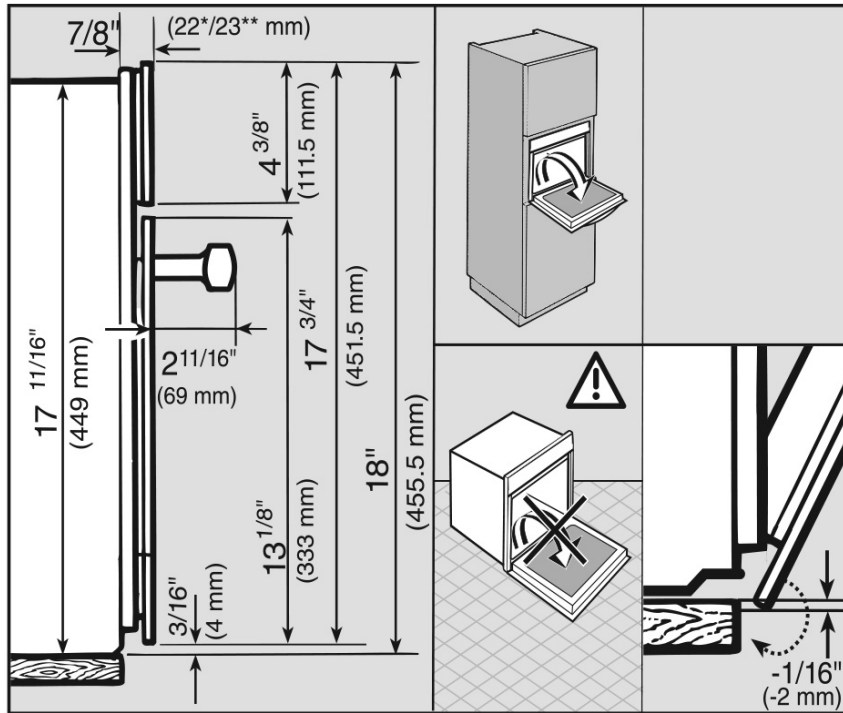


Side View, Door Open



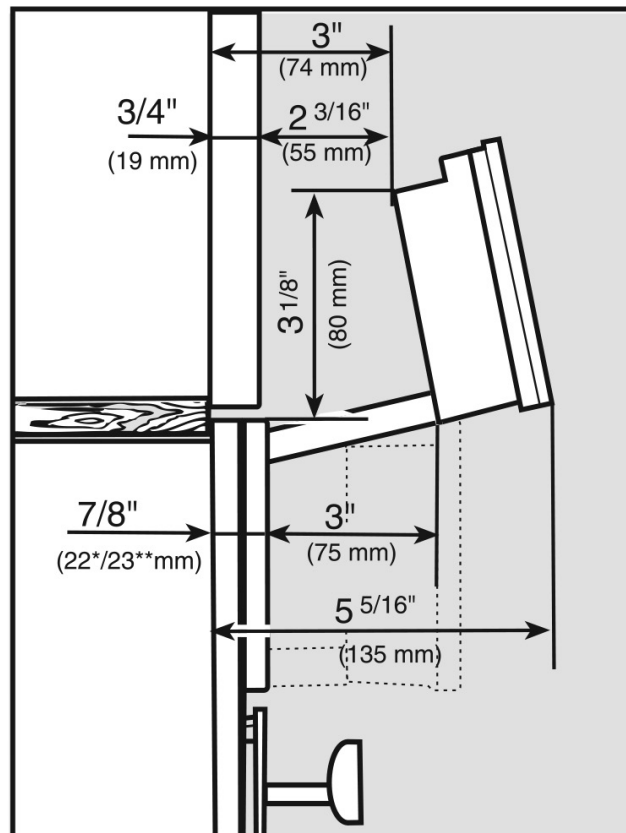
INSTALLATION SPECIFICATIONS

Door Swing and Face Detail



- * Appliances with glass front
- ** Appliances with metal front

Control Panel Swivel View



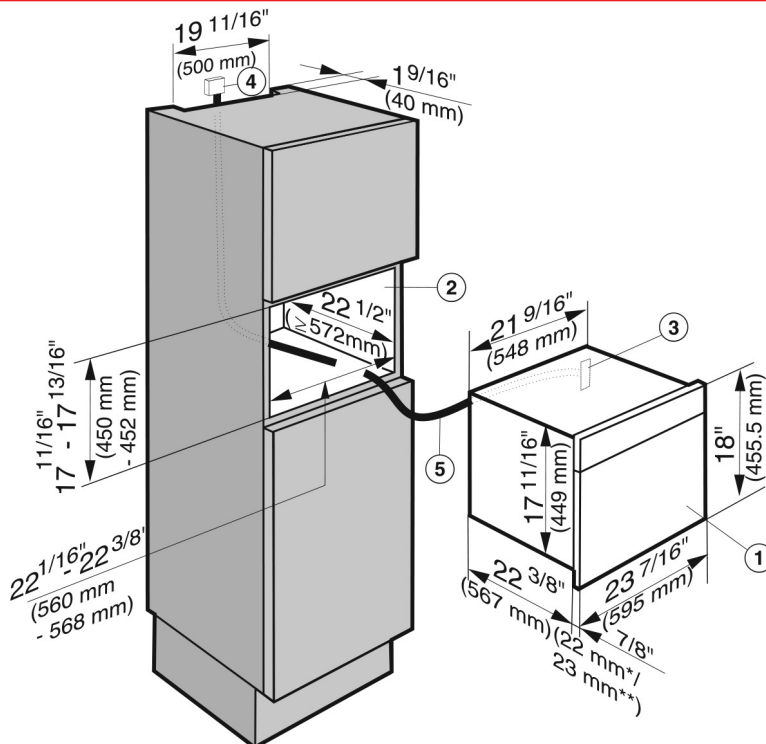
- * Appliances with glass front
- ** Appliances with metal front

ContourLine Combi-Steam Oven DGC 6500-1 XL



INSTALLATION SPECIFICATIONS

Tall Cabinet Installation

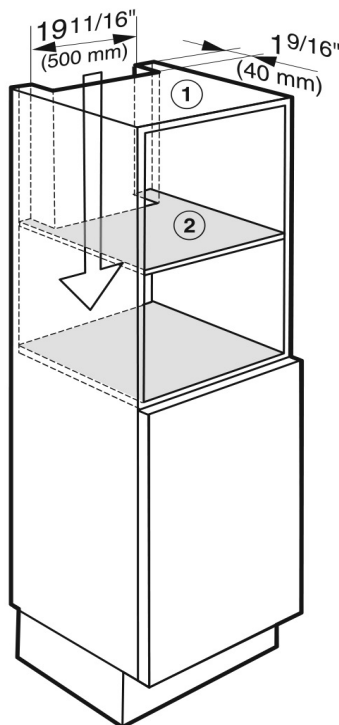


* Appliances with glass front

** Appliances with metal front

- ① Combi Steam Oven
- ② Installation niche
- ③ Power supply to the appliance
- ④ Recommended location for electrical connection
- ⑤ Power cord

Tall Cabinet Installation — Venting Requirements



To ensure that the Combi Steam Oven has adequate ventilation, the following cut-outs measuring 19 1/16" x 1 9/16" (500 x 40 mm) must be made:

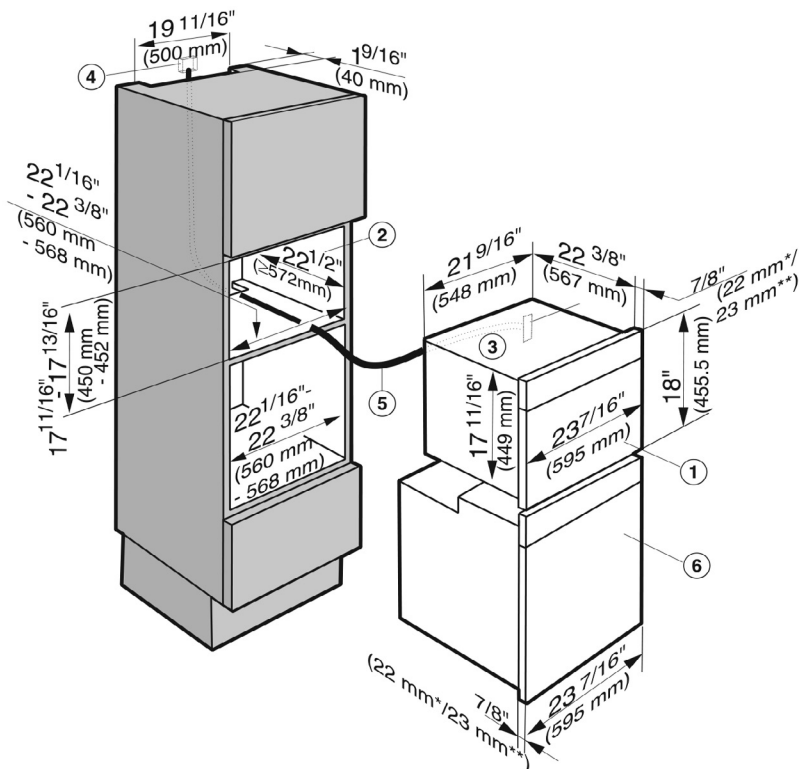
- ① in the top of the cabinet
- ② in the center shelf above the installation niche

ContourLine Combi-Steam Oven DGC 6500-1 XL



INSTALLATION SPECIFICATIONS

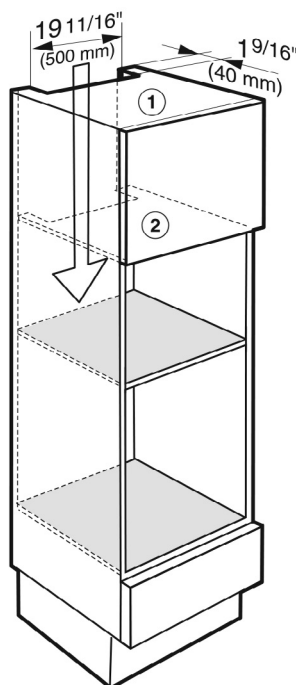
Installation Above 24" Oven



* Appliances with glass front
** Appliances with metal front

- ① Steam oven
- ② Niche
- ③ Pass-through for the power cord
- ④ Recommended position for electrical connection
- ⑤ Power cord
- ⑥ Oven

Installation Above 24" Oven —
Venting Requirements



To ensure that the Combi Steam Oven has adequate ventilation, the following cut-outs measuring 19 11/16" x 1 9/16" (500 x 40 mm) must be made:

- ① in the top of the cabinet
- ② in the center shelf above the installation niche

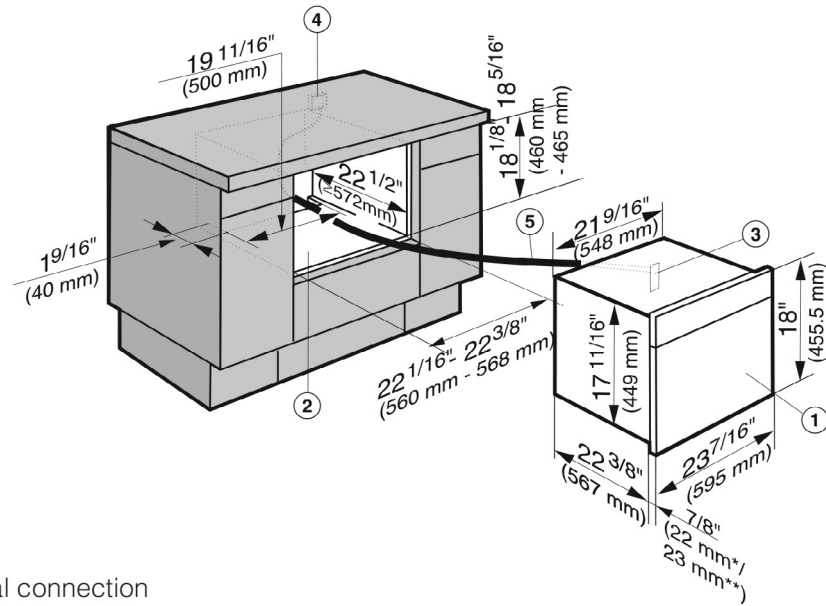
For the oven ventilation cut-out, please see the information in the oven installation instructions.

ContourLine Combi-Steam Oven DGC 6500-1 XL



INSTALLATION SPECIFICATIONS

Installation Undercounter



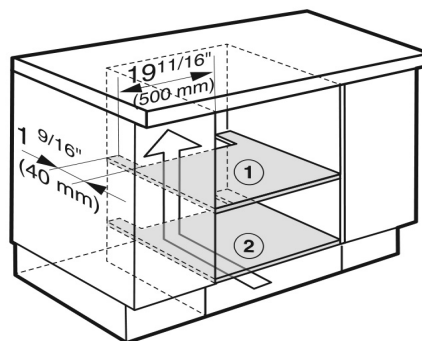
- ① Combi Steam Oven
- ② Installation niche
- ③ Power supply to the appliance
- ④ Recommended location for electrical connection
- ⑤ Power cord

* Appliances with glass front

** Appliances with metal front

If the appliance is to be installed under a cooktop, observe the instructions for installation of the cooktop and its installation height.

Installation Undercounter – Venting Requirements



To ensure that the Combi Steam Oven has adequate ventilation, the following cut-outs measuring 19 11/16" x 1 9/16" (500 x 40 mm) must be made:

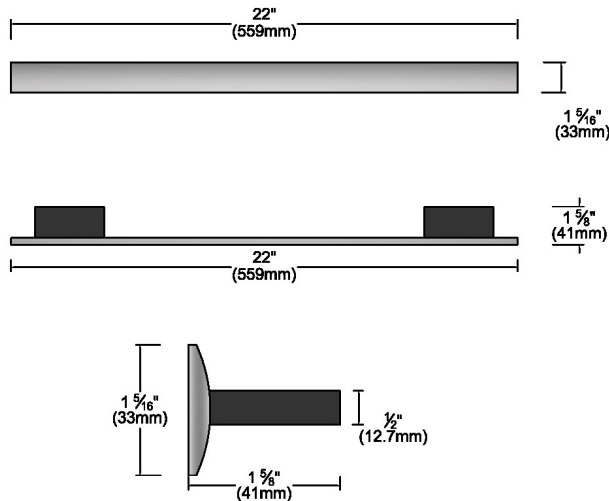
- ① in the top of the cabinet
- ② in the center shelf above the installation niche

ContourLine Combi-Steam Oven DGC 6500-1 XL



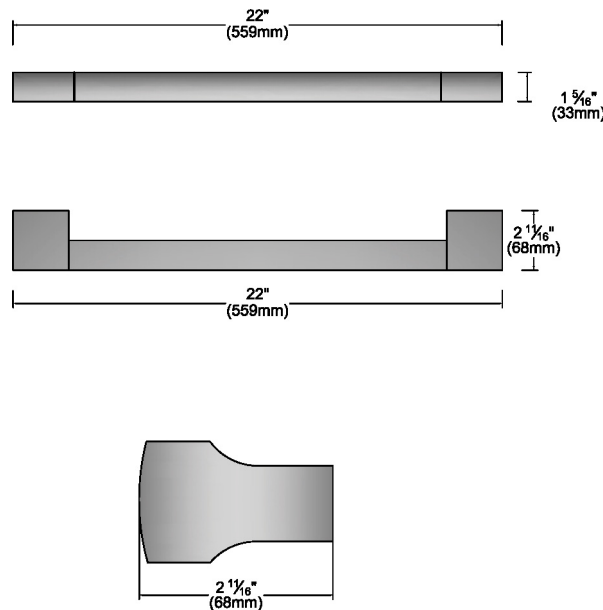
HANDLE DETAILS

All Miele Signature And PureLine
Handle Dimensions



Please note hinges may require adjusting or replacing when changing from a ContourLine Handle to a PureLine or Miele Signature Handle.

All ContourLine Handle
Dimensions



Please note hinges may require adjusting or replacing when changing from a PureLine or Miele Signature Handle to a ContourLine Handle.